



HD SERIES

Manual Y472280NXT NA



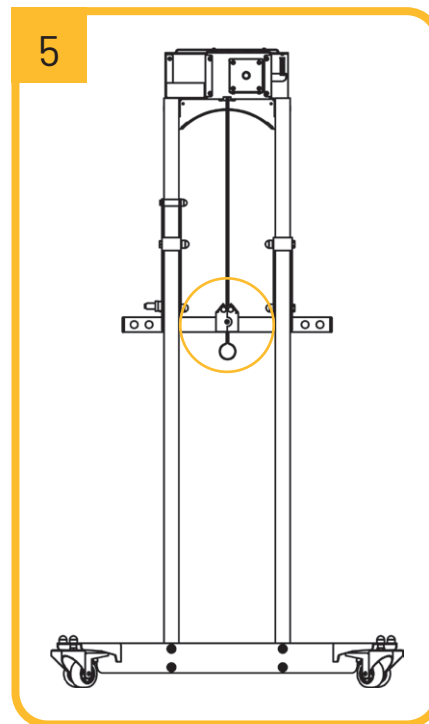
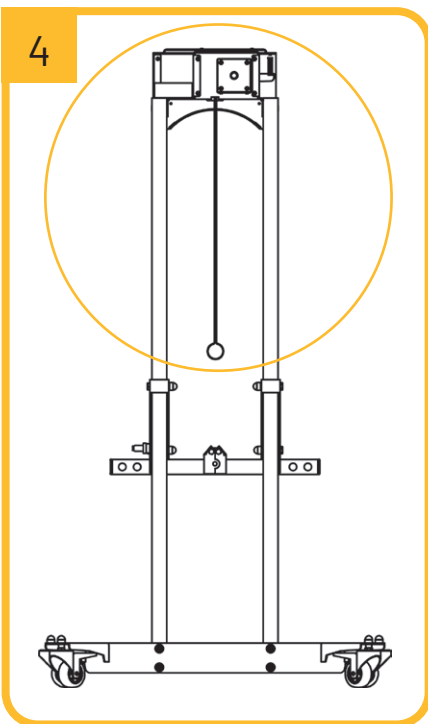
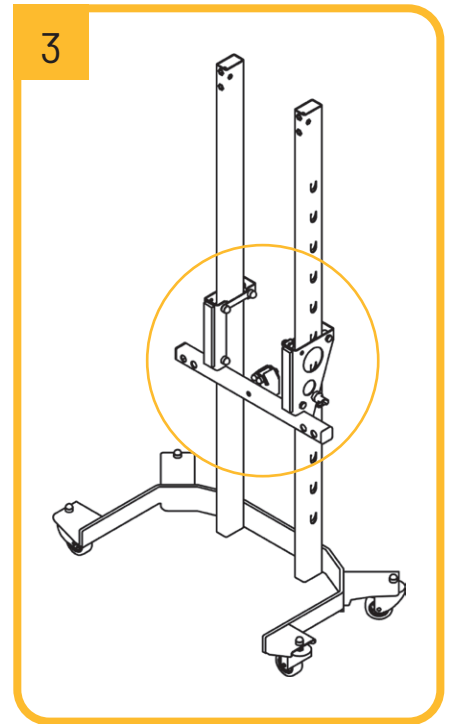
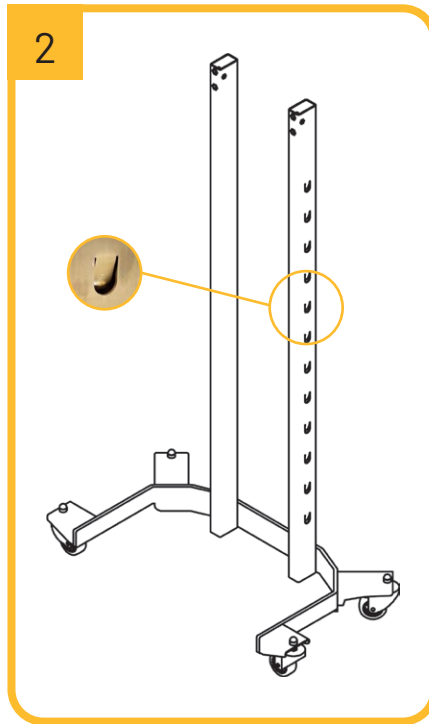
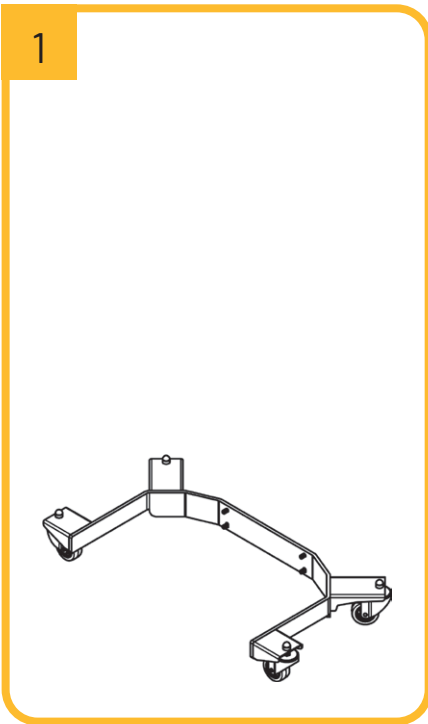
WINNTEC

2255 W. MORTON AVE.
JACKSONVILLE, IL 62650, USA
T: 217.245.0545
E: SALES@GAITHERTOOL.COM

HD Series

Manual Y472280NXT

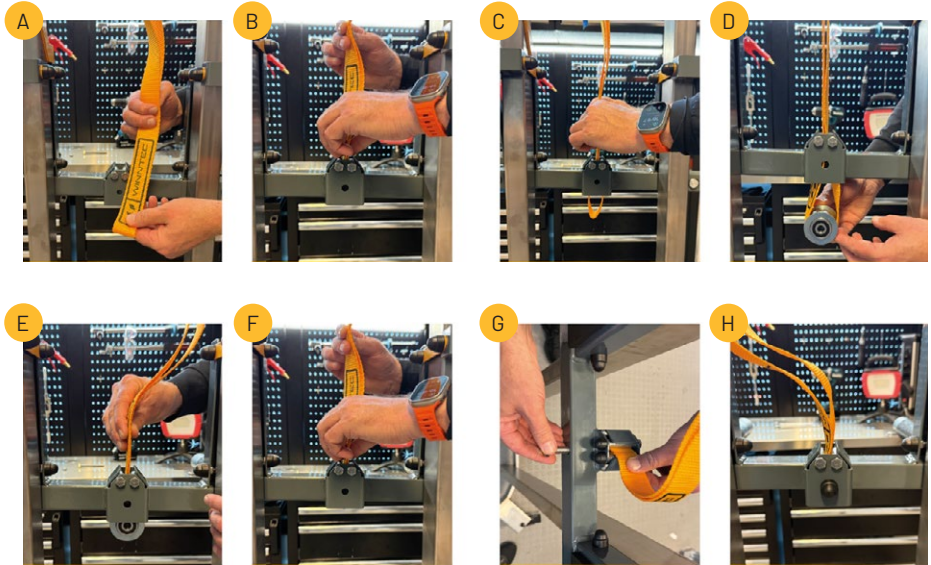
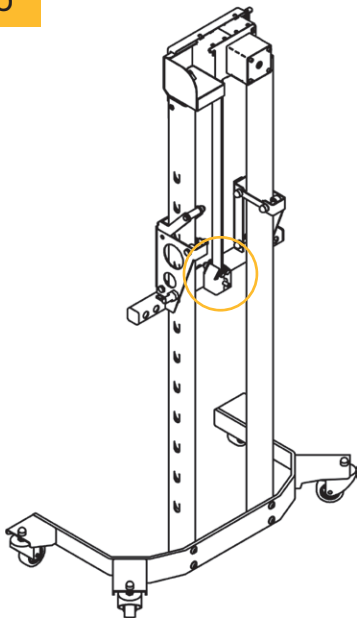
1. ASSEMBLY INSTRUCTIONS



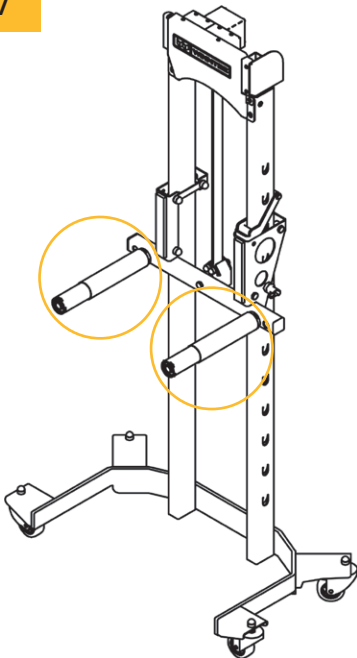
HD Series

Manual Y472280NXT

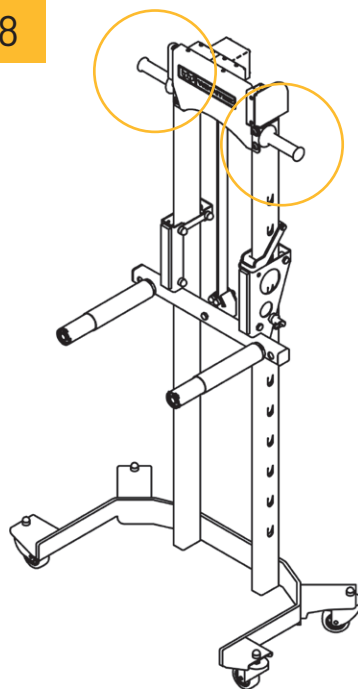
6



7

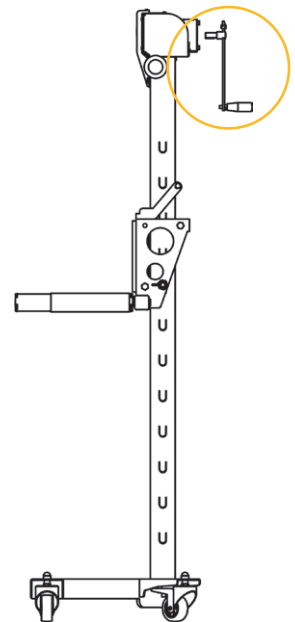


8



9

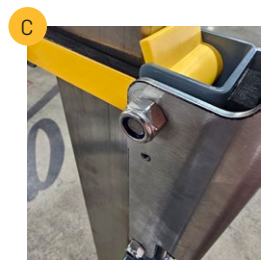
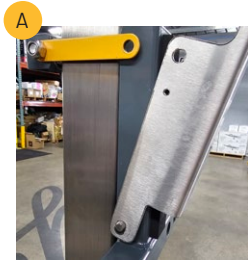
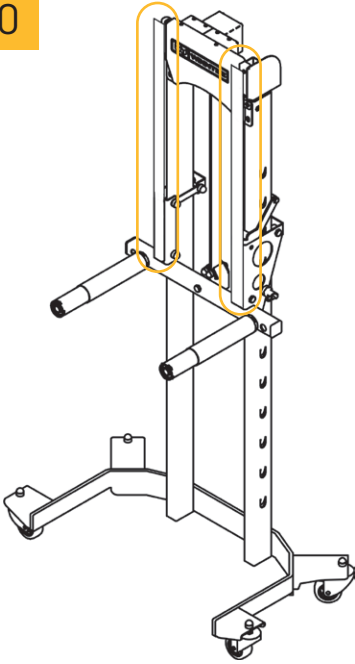
SEE CHAPTER 4.2



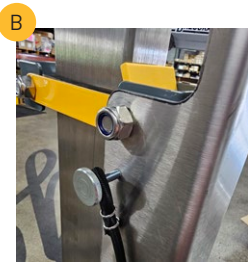
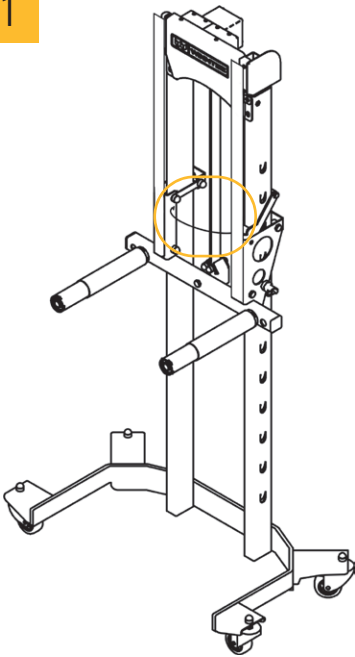
HD Series

Manual Y472280NXT

10



11





HD Series

Manual Y472280NXT

2. WARNINGS

WARNING	Always read and understand this manual before operating the NXT Wheel Lift.
CAUTION	Wear safety gloves and safety shoes during operation.
DO NOT	Exceed the rated load capacity of the lift.
NEVER	Stand under a lifted wheel.

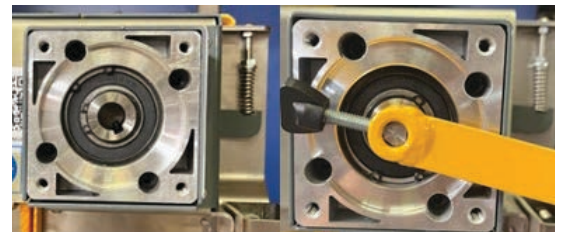
3. SPECIFICATIONS

Nett weight	45 kg
Capacity	70 kg
Max lifting height	1380 mm
Min lifting height	0 mm

4. BEFORE FIRST USE

4.1 USING THE LIFT WITH HAND WRENCH

Place the hand wrench with the preinstalled bit into the gearbox.
Turn clockwise to lift and turn counterclockwise to lower.



4.2 INSTALLING YOUR DRILL

4.2.1 Install both of the horizontal holders



4.2.2 Deinstall the bit from the handwrench and place it into the drill



HD Series

Manual Y472280NXT

4.2.3 Install the drill and adjust the height of the horizontal holders if necessary



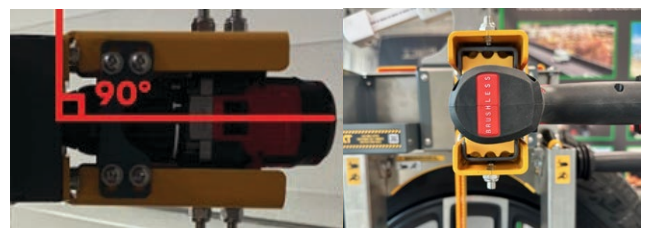
4.2.4 Place the vertical brackets to fixate the holder



4.2.5 Place the U-brackets and plastic supporting blocks on the drill and tighten the screws to fixate the drill



4.2.6 Always make sure that the drill is in a 90° degree angle in both directions.



5. OPERATION

5.1 LIFTING & LOWERING

Warning: Turn clockwise to lift and turn counterclockwise to lower.

Warning: Always make sure that your left hand is on the handgrip during lifting and lowering.

HD Series

Manual Y472280NXT

5.1.1 Lifting

a. Ensure that the lever of the mechanical locking system is in the 9 o'clock position.



b. Make sure that the grey coloured plastic sliders are in positions closely to the frame.



c. Place wheel between the rollers

d. Lift the wheel to the preferred height

5.1.2 Lowering

a. Make sure that the lever of the safety pin is facing towards you in a 90 degree position (3 o'clock) before lowering.

b. Now you can lower the wheel.

5.2 SECURING THE WHEEL

To transport a wheel using the lift:

1. Raise the wheel approximately 5 cm from the ground.
2. Stretch the wheel lock bungee securely around the tire.
3. Verify by hand that the wheel is properly secured.



HD Series

Manual Y472280NXT

6. MAINTENANCE

6.1 BRAKE ADJUST

The break shoe is a wear and tear component. Depending on the intensity of use, it may be necessary to readjust the brake.

Tighten the brake by rotating the adjustment nut and compressing the spring.

Make adjustments in one full turn increments and test the tension.



8. WARRANTY

This Winntec product is covered by a 1-year warranty from the date of purchase.

Note: Warranty does not cover wear and tear components.



HD Series

Manual Y472280NXT

ART NR	DESCRIPTION	Q	ART NR	DESCRIPTION	Q
Y472280NXT-01	M4-0.7x10 Torx Pan Head Screw with Washer	23	Y472280NXT-31	Gear Box	1
Y472280NXT-02	M8-1.25x20 Hex Socket Round Head Screw with Washer	1	Y472280NXT-32	Belt	1
Y472280NXT-03	M6-1.0x10 Hex Socket Round Head Screw with Washer	12	Y472280NXT-33	Connect Plate	2
Y472280NXT-04	M8-1.25x25 Hex Socket Set Screw with Cone Point	4	Y472280NXT-34	Lifting Frame Guide Set	2
Y472280NXT-05	M6-1.0*20 Hex Socket Head Cap Screw	4	Y472280NXT-35	Pulley Fastening Set	1
Y472280NXT-06	M6-1.0x50 Philips Pan Head Screw Full Thread	1	Y472280NXT-36	Pulley Set	1
Y472280NXT-07	M8-1.25x55 CM Extra Low Head Hex Socket Screw	2	Y472280NXT-37	Roller Assy	2
Y472280NXT-08	M8-1.25 Hex Nylon Lock Nut	12	Y472280NXT-38	200x30x10 Adhesive Foam Strip	2
Y472280NXT-09	M6-1.0 Hex Nylon Lock Nut	4	Y472280NXT-39	FXVBK-16x6x1.5 L-Shaped Knob Plunger	1
Y472280NXT-10	M4-0.7 Small Countersunk Half-Hex Rivet Nut	11	Y472280NXT-40	Lifting Frame	1
Y472280NXT-11	M6-1.0 Hex Nut	2	Y472280NXT-41	Square Tube Plug	2
Y472280NXT-12	M8 Flat Washer	9	Y472280NXT-42	Swivel Wheel Set	2
Y472280NXT-13	M4-0.7x14 Torx Pan Head Screw with Washer	2	Y472280NXT-43	Swivel Wheel with Brake Set	2
Y472280NXT-14	Plastic Cover	1	Y472280NXT-44	Caster Frame	1
Y472280NXT-15	628ZZ Bearing	1	Y472280NXT-45	Tire Lock Fastening Set	1
Y472280NXT-16	Brake Pad	1	Y472280NXT-46	Tire Lock	1
Y472280NXT-17	Compression Spring	1	Y472280NXT-47	Hand Crank	1
Y472280NXT-18	Bushing	2	Y472280NXT-48	M10-1.5x25 Hex Socket Round Head Screw with Washer	8
Y472280NXT-19	Drill Bit	1	Y472280NXT-49	M8-1.25x20 Hex Flange Bolt	2
Y472280NXT-20	Drill Mounting Bracket	2	Y472280NXT-50	Handle Grip	2
Y472280NXT-21	Gearbox Upper Cover	1	Y472280NXT-51	Left Post	1
Y472280NXT-22	Gearbox Lower Cover	1	Y472280NXT-52	Right Post	1
Y472280NXT-23	Cover Plate A	1	Y472280NXT-53	Protection Strip	1
Y472280NXT-24	Cover Plate B	1	Y472280NXT-54	Electric Drill Installation Kit	1
Y472280NXT-25	Storage Box	1	Y472280NXT-55	M8-1.25x35 Hex Socket Flat End Set Screw	2
Y472280NXT-26	Pulley	1	Y472280NXT-56	Gear Reducer Shim	1
Y472280NXT-27	Brake Pad Bracket	1	Y472280NXT-57	Gearbox End Cover	1
Y472280NXT-28	Front Panel	1	Y472280NXT-58	Lifting Frame Guards	2
Y472280NXT-29	Top Panel	1	Y472280NXT-59	Wheel Bungee and Pegs	1
Y472280NXT-30	Guide Carrier	1			



HD Series

Manual Y472280NXT

F: DÉCLARATION DE CONFORMITÉ

Nous: Winntec, Rechtzaad 6, 4703 RC Roosendaal (NL)
déclarons sous notre seule responsabilité que les produits auxquels se réfère cette déclaration sont conformes aux dispositions des Directives: 2006/42/EC Machinery Directive

NL: VERKLARING VAN OVEREENKOMST

Wij: Winntec, Rechtzaad 6, 4703 RC Roosendaal (NL)
verklaaren geheel onder eigen verantwoordelijkheid dat de volgende producten, waarop deze verklaring betrekking heeft, in overeenstemming zijn met de bepalingen van Richtlijn: 2006/42/EC Machinery Directive

I: DICHIARAZIONE DI CONFORMITÀ

Noi: Winntec, Rechtzaad 6, 4703 RC Roosendaal (NL)
dichiariamo sotto la nostra esclusiva responsabilità che i prodotti ai quali questa dichiarazione si riferisce sono conformi a quanto previsto dalle direttive: 2006/42/EC Machinery Directive

E: DECLARACIÓN DE CONFORMIDAD

Nosotros: Winntec, Rechtzaad 6, 4703 RC Roosendaal (NL)
declaramos bajo nuestra exclusiva responsabilidad la conformidad de los productos a los que refiere esta declaración, con las disposiciones de Directiva: 2006/42/EC Machinery Directive

P: DECLARAÇÃO DE CONFORMIDADE

Nós: Winntec, Rechtzaad 6, 4703 RC Roosendaal (NL)
declaramos, sob nossa única responsabilidade, que os seguintes produtos, incluídos nesta declaração estão em conformidade com o disposto na Directiva: 2006/42/EC Machinery Directive

SE: FÖRSÄKRAN OM ÖVERENSSTÄMMELSE

Vi: Winntec, Rechtzaad 6, 4703 RC Roosendaal (NL)
försäkrar under eget ansvar att följande produkter som omfattas av denna försäkran är i överensstämmelse med villkoren i direktiv: 2006/42/EC Machinery Directive

N: ERKLÆRING OM OVERENSSTEMMELSE

Vi: Winntec
Adresse: Winntec, Rechtzaad 6, 4703 RC Roosendaal (NL)
erklærer på eget ansvar, at følgende produkter som dekkes av denne erklæringen, er i overensstemmelse med bestemmelsene i Direktiv: 2006/42/EC Machinery Directive

DK: ÖVERENSSTEMMELSESERKLÆRING

Vi: Winntec, Rechtzaad 6, 4703 RC Roosendaal (NL)
erklærer på eget ansvar et følgende produkter som er omfattet af denne erklæring, er i overensstemmelse med bestemmelserne i Direktiv: 2006/42/EC Machinery Directive

Fin: ÖVERENSSTEMMELSESERKLÆRING

Me: Winntec, Rechtzaad 6, 4703 RC Roosendaal (NL)
vakuutamme yksinomaan omalia vastuullamme, että seuraavat tuotteet, joihin tämä vakuutus liittyy, ovat seuraavien direktiivien vaatimusten mukaisia: 2006/42/EC Machinery Directive

GB: DECLARATION OF CONFORMITY

We: Winntec, Rechtzaad 6, 4703 RC Roosendaal (NL)
declare under our sole responsibility that the following products to which this declaration relates conform with the provisions of Directives: 2006/42/EC Machinery Directive

D: KONFORMITÄTSEKTLÄRUNG

Wir: Winntec, Rechtzaad 6, 4703 RC Roosendaal (NL)
erklären auf eigene Verantwortung, daß folgende Produkte, auf die sich diese Erklärung bezieht, mit den Bedingungen der Direktiven: 2006/42/EC Machinery Directive

Typ, tyyppi, type, type, type, Typ, type, tipo, type, tipo, tipo: **Y472280NXT**

Ralph Dubbeldam
Managing Director
Winntec, 2025-10-27
Roosendaal, The Netherlands



HD Series

Manual Y472280NXT

