



AB5-2160V4

Tank Layout	Vertical
Tank Capacity	60V
Pump Configuration	Two-Stage
Power Supply	230/1
HP	5
CFM @ Max PSI	14.6
Max PSI	175
Weight	301 lbs.
Length	22.5"
Width	29.6"
Height	68.9"
Warranty	2 Year

KEY FEATURES

- // Oversided Flywheel for Improved Cooling
- // Aluminum Head & Aftercooler
- // Fully Enclosed Belt Guard
- // ASME Tank & Safety Valves

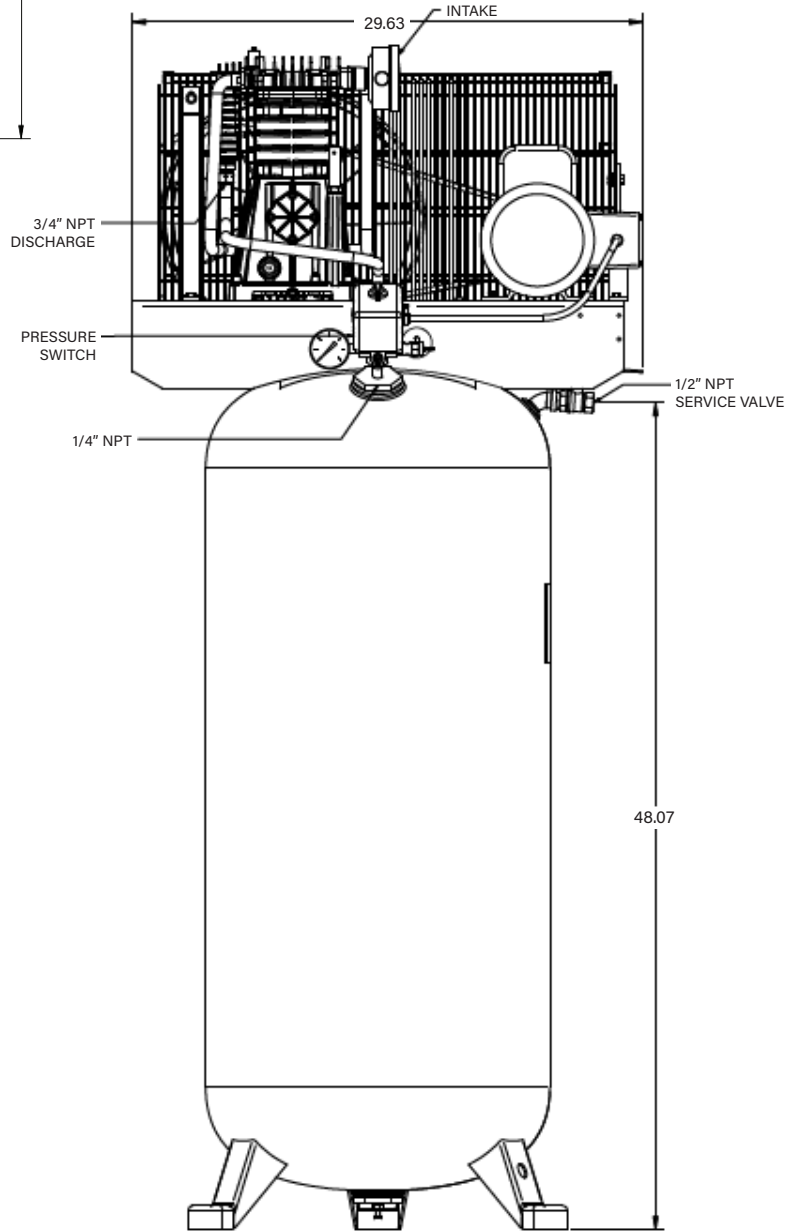
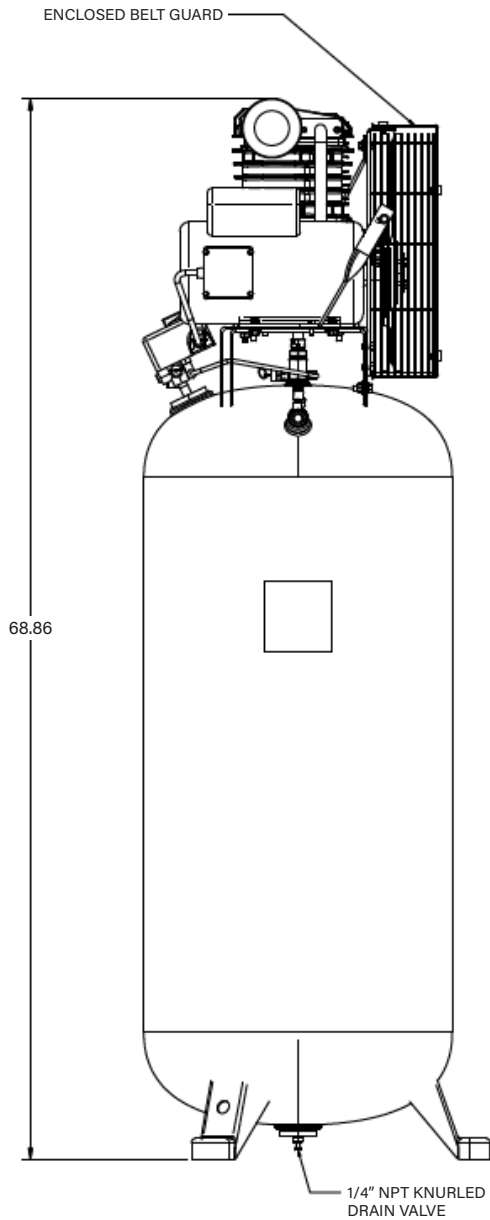
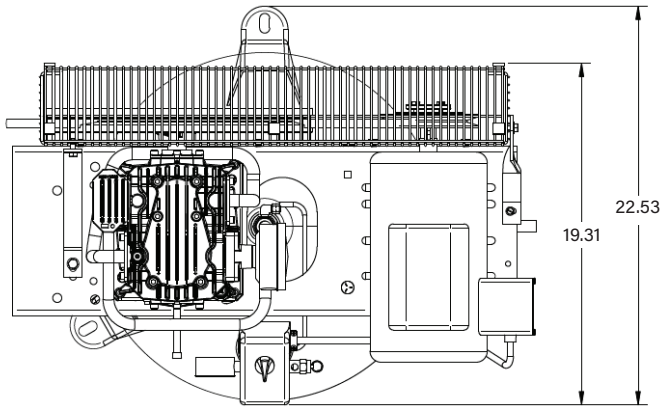


PN: 202119135

ASSEMBLED IN



USA



NOTES:

- 1) ALL DIMENSIONS GIVEN IN INCHES
- 2) ALLOW MINIMUM OF 12 INCHES ON ALL SIDES FOR SERVICE AND COOLING