



AB7-2180V

Tank Layout	Vertical
Tank Capacity	80V
Pump Configuration	Two-Stage
Power Supply	230/1
HP	7.5
CFM @ Max PSI	22.2
Max PSI	175
Weight	403 lbs.
Length	25.8"
Width	36.4"
Height	76.1"
Warranty	2 Year

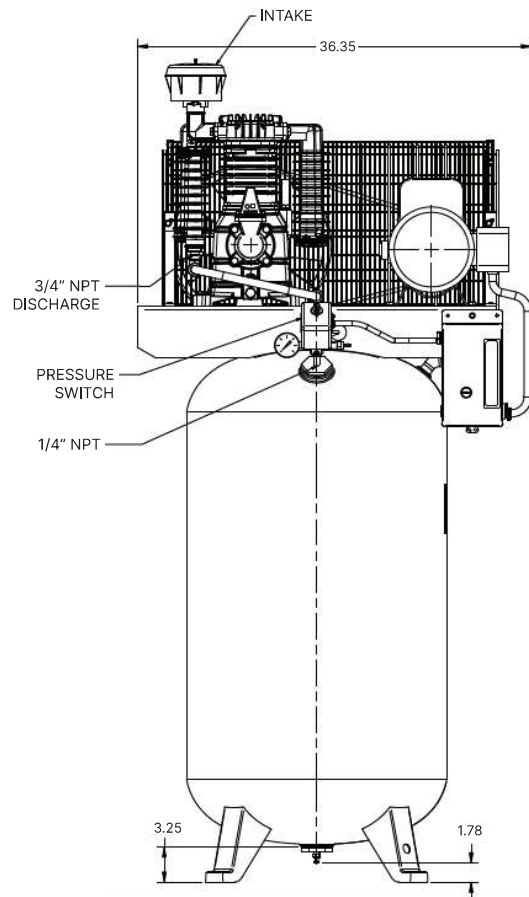
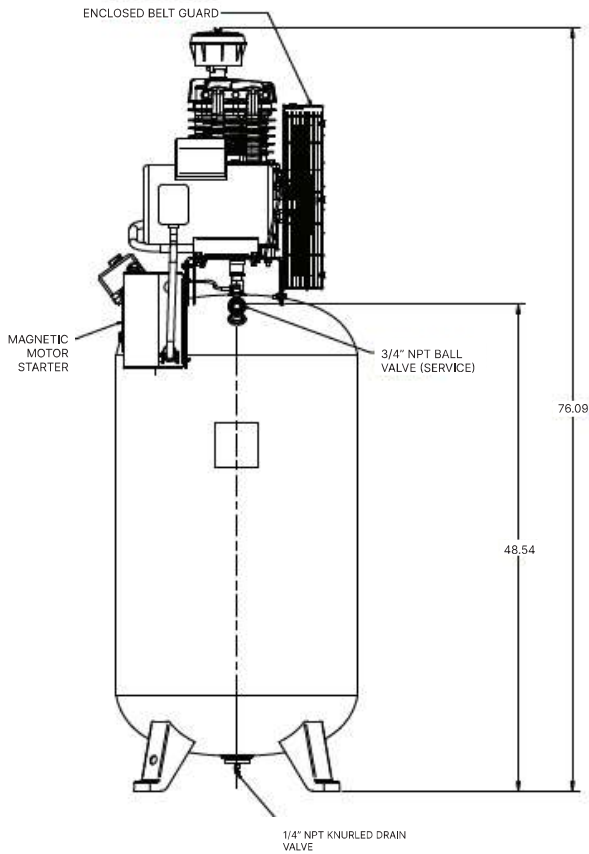
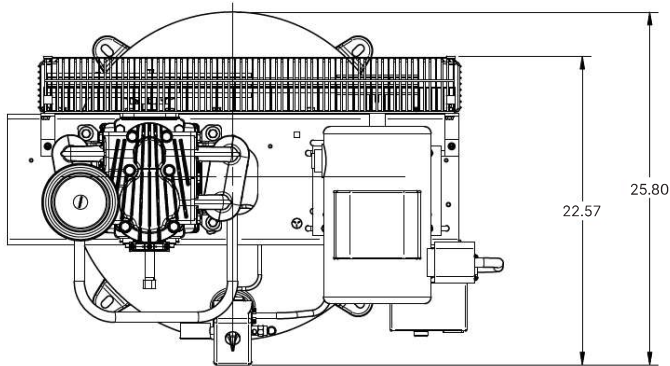


KEY FEATURES

- // Aluminum Heads & Aftercooler
- // Fully Enclosed Belt Guard for Additional Safety & Optimized Air Flow
- // ASME Tank & Safety Valves
- // Cast Iron Cylinders



PN: 2021119422



NOTES:

- 1) ALL DIMENSIONS GIVEN IN INCHES
- 2) ALLOW MINIMUM OF 12 INCHES ON ALL SIDES FOR SERVICE AND COOLING