

360° ASARS

Automatic Swing Arm Restraint System™

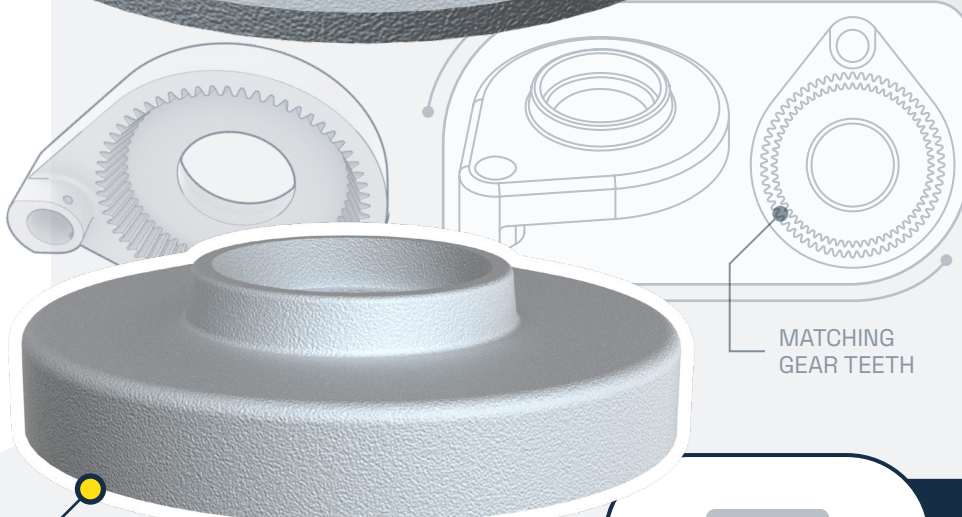
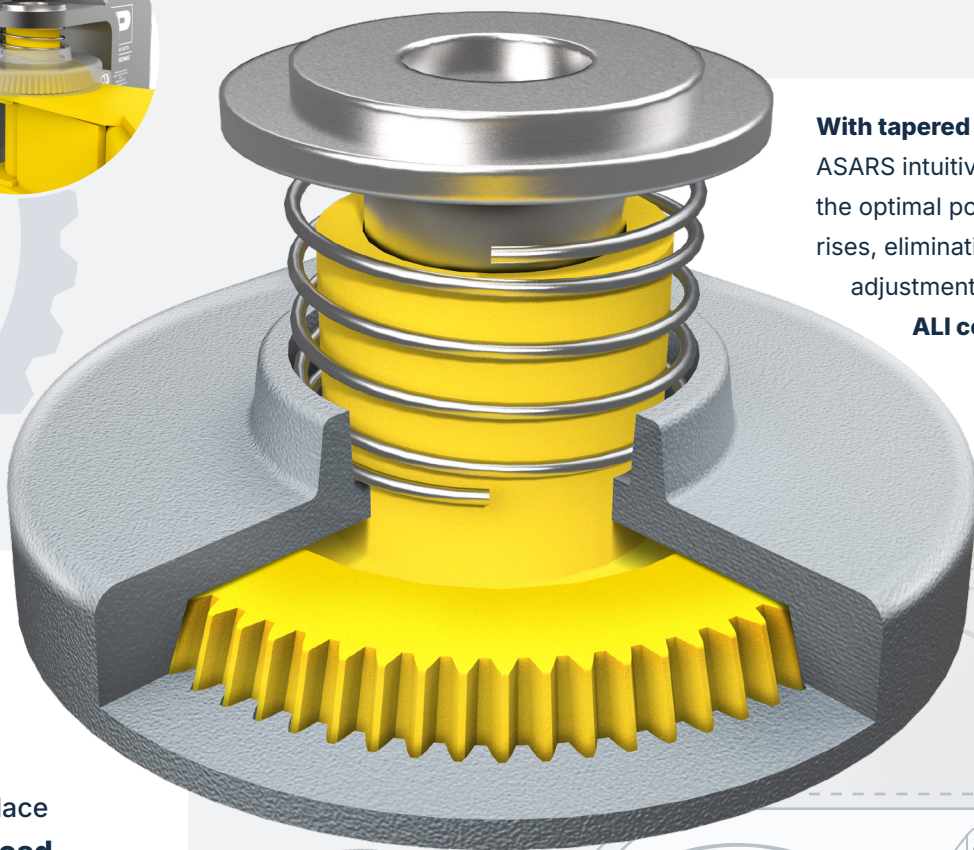
Designed by BendPak.

Built into all BendPak AP Series 2-post lifts.

With tapered gears and a 360° locking design, ASARS intuitively locks the swing arms into the optimal position automatically as the lift rises, eliminating the inconvenience of manual adjustments. Plus, every AP lift proudly carries **ALI certification**, further demonstrating BendPak's ongoing commitment to smarter, safer lifting technology.

With a full **360-degrees** of grip, the heavily forged-steel design of this patented and exclusive arm restraint system secures the lift arms firmly in place **with over 2000-pounds of load-holding force**, preventing unplanned swing arm movement during lift use and vehicle service operations.

This revolutionary design is an adaptive system that requires minimal operator involvement and delivers *unparalleled* holding power.

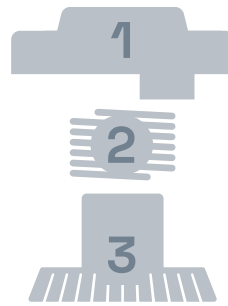


1 FULL CIRCLE GEAR STOP

QUICK-RELEASE LEVER

2 COMPRESSION SPRING

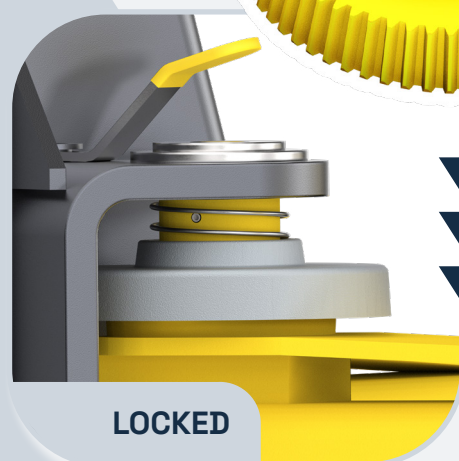
3 FULL CIRCLE GEAR + ARM MOUNT TUBE



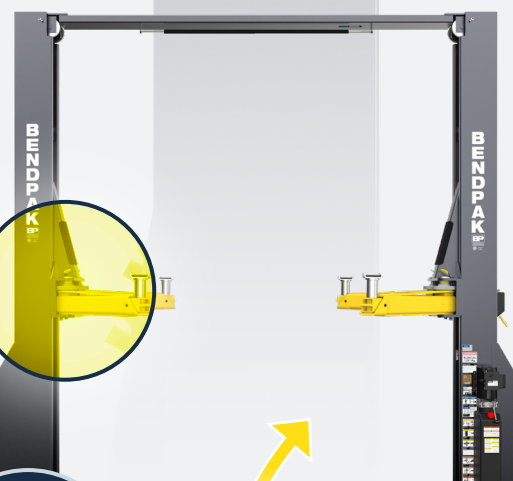
A distinctive **3-part** design that allows for precise non-shifting action, and a handy **quick-release operator lever** allowing for the instant release of the clamping pressure.

PUSHING LEVER DOWN UNLOCKS GEAR STOP

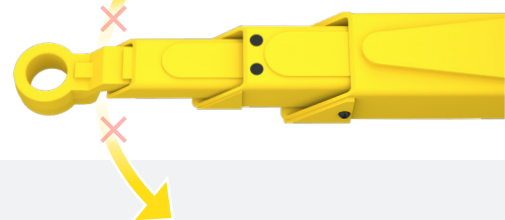
RELEASING LEVER LOCKS IT



LOCATION ON LIFT



Zero Shifting.



U.S. Patent No. - US 11,820,632 B2

1-800-253-2363 | www.bendpak.com
Copyright © 2026 BendPak Inc. All rights reserved.



BendPak