

## Pro-Grade Performance That Pays For Itself.

The **APEX™ AT26A** is built for professional shops that want real performance without paying for unnecessary extras. Designed to handle today's toughest tire and wheel assemblies, including low-profile and oversized truck tires. The **AT26A** delivers the power, control, and durability technicians rely on, at a value-focused price point that makes sense for growing and high-volume operations.

Backed by BendPak's engineering expertise, support infrastructure, and decades-long reputation in the industry, the **AT26A** offers a confident investment that balances capability, reliability, and cost.

## Core Performance Features

### • Electric Turntable Drive

The high-torque electric turntable provides smooth, consistent rotation with precise speed control. Reversible direction allows technicians to adapt rotation instantly during mounting and demounting, reducing bead stress and helping prevent wheel damage, especially on low-profile and run-flat tires. Slower, controlled rotation gives beads time to relax for safer, more predictable tire service.



### • High-Power Bead Breaking System

A performance-enhanced bead-breaker arm delivers fast, decisive bead loosening with minimal effort. Bilateral pneumatic accelerators provide rapid movement in both directions, reducing cycle times. The oversized stainless-steel cylinder generates the force needed to break even stubborn beads, while corrosion-resistant construction ensures long-term reliability in demanding shop environments.

### • Adjustable Multi-Axis Bead Breaker Blade

The multi-axis, adjustable blade design allows technicians to approach beads from optimal angles, accommodating a wide range of tire and wheel combinations. A dual-flange axle minimizes flex and reduces wear, helping extend service life while maintaining consistent performance.

## Tire Handling & Technician Control

### 1 Spring-Assisted Tool Shaft and Hardened Outrigger Arm

The 45 mm hexagonal vertical tool shaft is spring-assisted for easy positioning, while the hardened horizontal outrigger arm provides the rigidity needed for accurate tool-head alignment. Together, they minimize flex and misalignment, reducing the chance of wheel damage and improving repeatable results.

### 2 Pneumatic Assist Arm

The pneumatic assist arm provides controlled support when working with stiff sidewalls, low-profile tires, and larger assemblies. It stabilizes the tire, maintains proper bead position, and reduces physical strain on the technician – making difficult tire changes safer, faster, and more manageable.

### 3 Traveling Drop-Center Tool

This integrated tool holds stubborn beads securely in the drop center during mounting. As the tire rotates, the tool follows the bead, maintaining consistent pressure and helping prevent bead slip, sidewall stress, or rim damage, especially on modern performance tires.

### 4 Tire-Handling Hook

Designed for versatility, the tire-handling hook assists with difficult removals and repositioning. It provides additional leverage and control when handling heavy or uncooperative tires, improving safety and workflow.

### 5 Dual Mount/Demount Heads Included – Metal & Polymer

Come standard with a traditional hardened steel tool head for maximum durability and a precision-molded polymer head for enhanced wheel protection. The polymer mount/demount head is specifically designed to reduce the risk of rim marring when working with alloy, painted, clear-coated, and specialty wheels, making it ideal for modern OE and aftermarket finishes. Gives technicians the flexibility to choose the right tool for the job.

## Operator-Focused Design

### • Upfront Controls and Ergonomic Layout

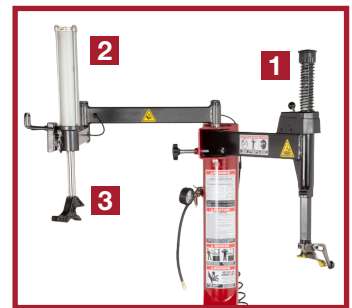
Controls are positioned for easy access and clear visibility, allowing technicians to work efficiently without unnecessary movement or repositioning.

### 6 Geometric Tabletop

The uniquely shaped tabletop improves access for bead lubrication and provides better visibility of the lower bead during mounting and inflation, supporting safer and more controlled operation.

### 7 Tire Inflation Gun with Integrated Gauge

A rugged inflation gun with a built-in analog pressure gauge delivers accurate readings at a glance. Designed to withstand daily shop use, it offers precise airflow control and easy access to valve stems.



## Features

### 1 High-Torque Electric Turntable Drive

Delivers smooth, controlled rotation with reversible direction for faster, more precise tire changes

### 2 Pneumatic Assist Arm

Adds control and leverage for mounting and demounting low-profile, run-flat, and heavy-duty tires

### 3 High-Power Bead Loosening System

Oversized stainless-steel cylinder with bilateral pneumatic accelerators for fast, powerful bead breaking

### 4 Multi-Axis Adjustable Bead Breaker Blade

Adjustable settings accommodate a wide range of tire and wheel combinations

### 5 Rugged Bead-Breaker Arm

Box-frame construction ensures durability and smooth, shock-free operation

### 6 Foot-Pedal Reversible Rotation

Easily switch turntable direction to improve efficiency and reduce bead stress

### 7 Spring-Assisted 45 mm Hex Tool Shaft & Hardened Outrigger Arm

Provides stable, precise mount/demount head positioning with minimal flex

### 8 Traveling Drop-Center Tool

Holds beads in the drop center for smooth, controlled, damage-free mounting

### • Tire-Handling Hook

Provides additional leverage and control when working with heavy or stubborn tires

### 9 Durable Steel Wheel Clamps

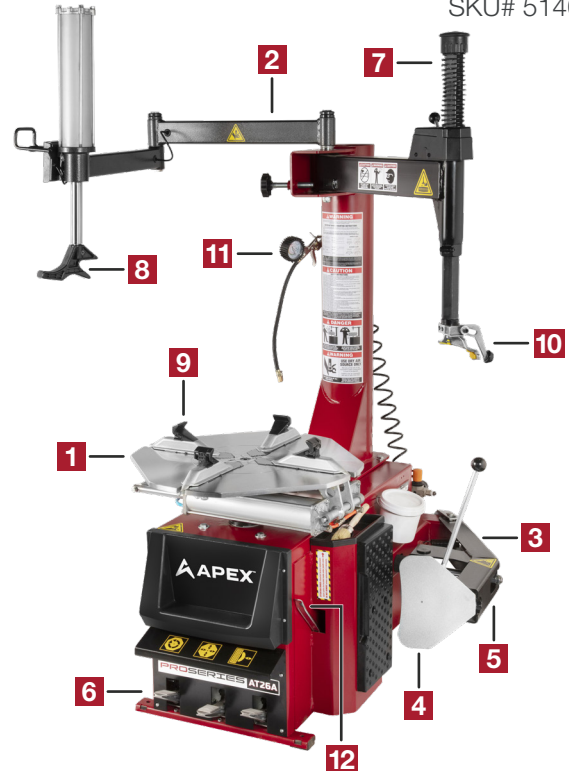
Internal and external clamping with plastic protection to securely hold wheels from 12"–26"

### 10 Mount/Demount Heads

Tool-head-mounted bead helper rollers maintain constant bead pressure during mounting and demounting, acting like an extra set of hands, while the micro-smooth hardened steel head delivers precise, safer operation and bead protection.

### • Polymer Mount/Demount Head Included

Eliminates metal-to-metal contact for added wheel protection



### • Mount/Demount Head Plastic Protector Kit

Standard non-marring protection for alloy and high-end wheels

### • Geometric Tabletop Design

Improves bead lubrication access and underside visibility during mounting

### 11 Tire Inflation Gun with Integrated Pressure Gauge

Durable, easy-to-read gauge delivers accurate inflation control

### • Advanced Brushless AC Motor

High-efficiency motor delivers consistent power and long service life

### • Maintenance-Free Gearbox

Sealed oil and grease reservoir ensures smooth, long-lasting operation

### • Heavy-Duty Drive Belt

Convex sidewalls promote even wear and extended service life

### • Balanced Flywheel

Reduces vibration and internal stress for smoother operation

### • Large Soap Bucket with Brush

Supports proper bead lubrication

### • Plastic Wheel Protection Kit

Includes clamp covers, bead-breaker blade boots, and tool head inserts

### 12 Hardened Steel Tire Iron & Bead Lever Tool

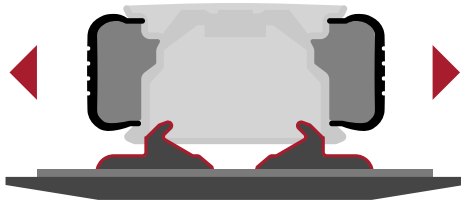
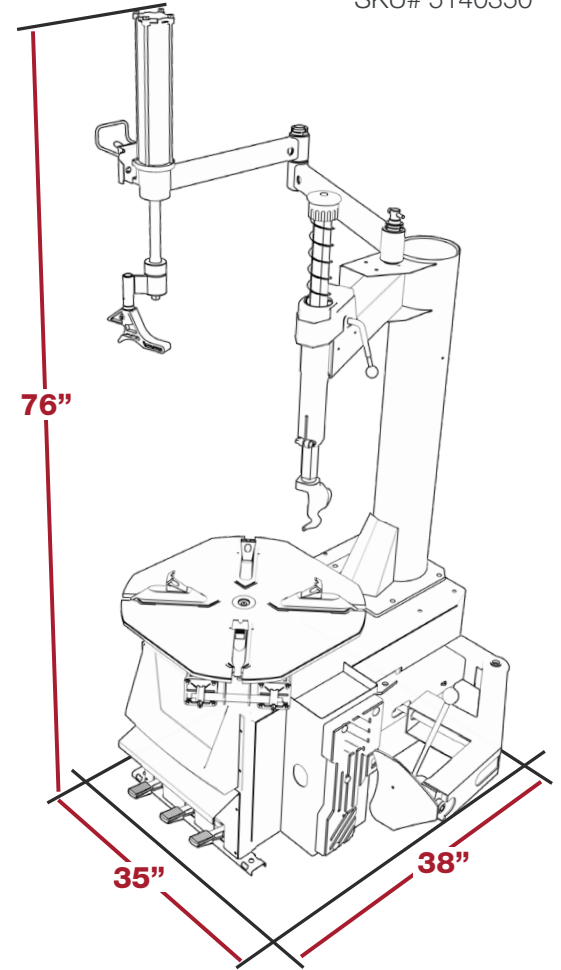
Provides added leverage for demanding tire service

### Specifications

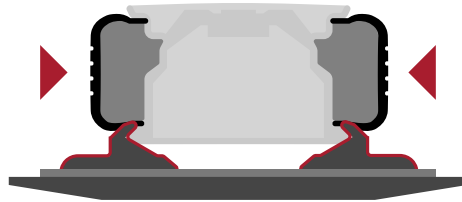
**MODEL** **AT26A**

Swing-arm tire changer with mount/demount swing-away assist arm

Motor	1.5 HP (110/208-240VAC 50-60 HZ)
Air Requirement	140-165 PSI (10-11 BAR)
Wheel Clamping Method	4 Clamps - Internal / External
Table Clamping System	Dual Pneumatic Cylinders
Bead Breaking System	Pneumatic Blade
Outside (Wheel) Clamping Range	12" - 24" (305mm - 610mm)
Inside (Wheel) Clamping Range	14" - 26" (356mm - 660mm)
Max. Tire Width	13" (330mm)
Max Tire Diameter	47" (1,200mm)
Bead Breaker Width	14" (356mm)
Max. Rim Width at Head	15" (381mm)
Bead Breaker	Spring-Return, Single Inlet, Cast Iron
Clamps	Fixed
Turbo Blast	No
Air Inflation Indicator	Hand-Held Inflation Gauge



**Internal Rim Clamping**  
14" - 26" (356mm - 660mm)



**External Rim Clamping**  
12" - 24" (305mm - 610mm)



**Max. Tire Diameter**  
47" (1,200mm)

### Includes:

Tire Iron



### Brush and Bucket



### Wheel Protection Kit

